






KEOPE WALL

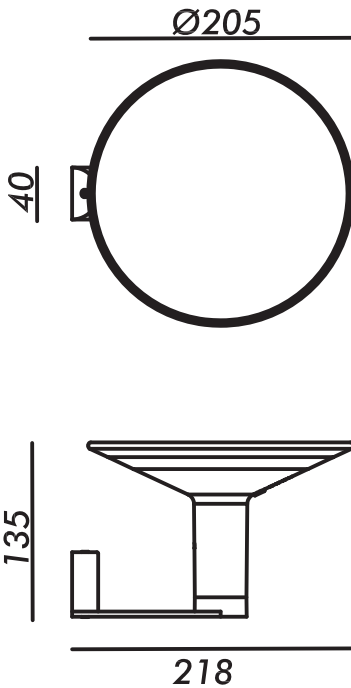


LED solar lamp
Daylight sensor:
- activate at < 50 lux
- turn off at > 50 lux
IP65   

Materials:
- die-casting aluminium, extruded aluminium
- thermosetting epoxy polyester powder coating
- stainless steel screws
- clear polycarbonate diffuser
Salt spray corrosion test: 800h

Charging time: 10-12h
Working time: 23-25h
Power: 3W
Lithium Battery: 2*2200 mAh (replaceable)
Battery level indicator
Solar panel:
- 3.5W monocrystalline
- tempered glass
LED: Lumileds 4014
Light colour temperature: 3000K
CRI>80

Inner box size: 25.5 x 25.5 x 16 cm
Master: 6 pieces
Master size: 52.5 x 50 x 27 cm
Net weight: 6.6 kg
Gross weight: 9.9 kg



KEOPE WALL - 1120210

