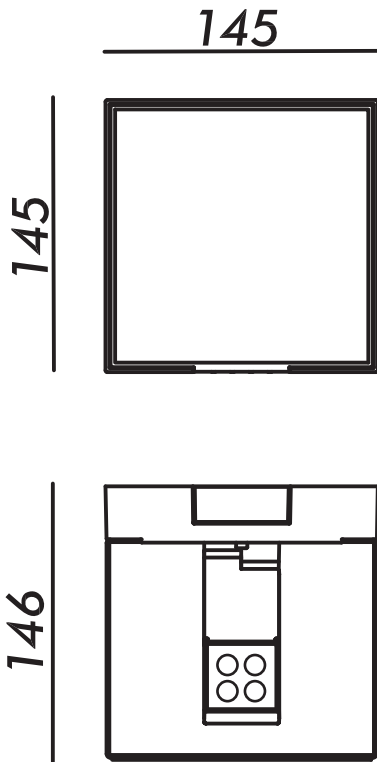




**ALEA**



ALEA - 1210110



LED solar lamp

Daylight sensor:

- activate at < 50 lux
- turn off at > 50 lux

IP65

Materials:

- die-casting aluminium, extruded aluminium
  - thermosetting epoxy polyester powder coating
  - stainless steel screws
  - clear polycarbonate diffuser
- Salt spray corrosion test: 800h

Charging time: 6-8h

Working time: 16-18h

Power: 2.2W

Lithium Battery: 2200 mAh (replaceable)

Battery level indicator

Solar panel:

- 2.5W monocrystalline
- tempered glass

LED: Lumileds 2835

Light colour temperature: 3000K

CRI>80

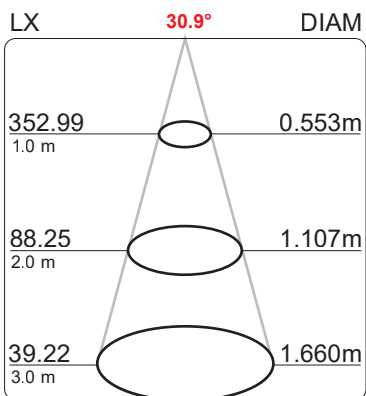
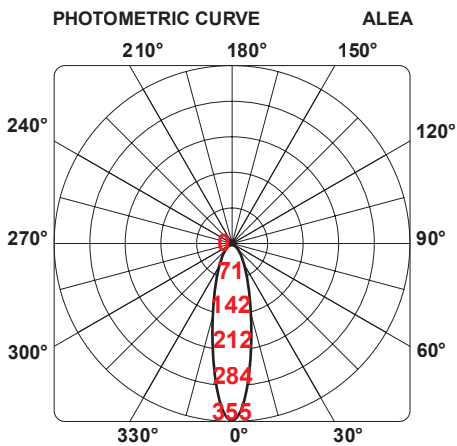
Inner box size: 20.5 x 20.5 x 23 cm

Master: 6 pieces

Master size: 63 x 42.5 x 25 cm

Net weight: 7.2 kg

Gross weight: 10.6 kg



LUMENS/WORKING TIME

