

Datasheet
4029501

Aufbauleuchte Moon 330mm 3-CCT

Our 18 W **Moon** has been conceived in a timeless round design. It provides glare-free illumination without creating shadows, and even the side covers also emit light.

Our ceiling light can be used in a wide variety of locations. However, due to its IP44 rating, it is primarily used around the house or under the roof, for example as entrance lighting. In addition, the Moon has IK05 impact resistance.

Thanks to its simple swivel mounting, it only takes a short time to install, making our Moon very suitable as a project light.

We, Sigor Licht GmbH, offer consumers a 2-year guarantee on the function.


[Further information and guarantee conditions can be found here.](#)



Dimmable no

1.900 lm	luminous flux [lm]
18,00 Watt	rated power
3000-5700 K	colour temperature
Ra>80	colour rendering
6 sdcn	colour consistency
120°	beam angle
weiss	Colour housing
IP44	type of protection
-10° - 45°C	temperature range in operation
	power factor
230 V AC	voltage
50/60 Hz	operating frequency
215 mA	current
18 kWh/1000h	energy consumption
1 s	warm-up time up to 60% of the full light output
1 s	starting time
Ø 50.000 h	nominal life time
L80B10	rated life time L70/B50
0.7	lumen maintenance factor at the end of the nominal life





Sigor
4029501

A

B

C

D


E

F

G

F

18
kWh/1000h

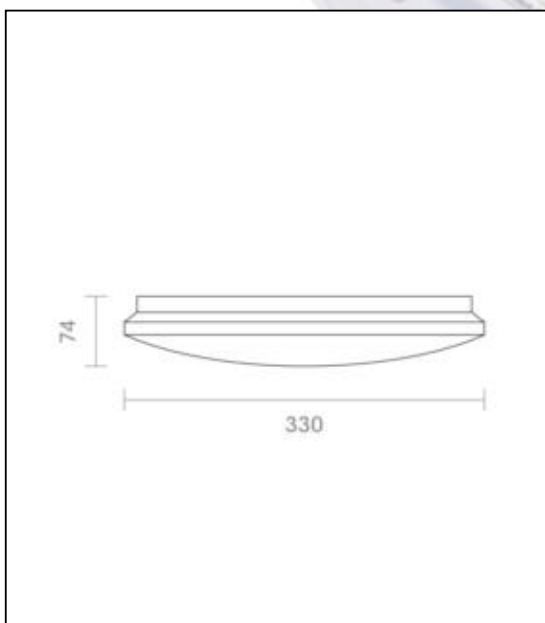


2019/2015



4029501

Aufbauleuchte Moon 330mm 3-CCT



as of: 30.08.2024

Page: 2

Sigor Licht GmbH • Eichenhofer Weg 81 • 42279 Wuppertal
Telefon 0 23 39 - 12 61 - 0 • Telefax 0 23 39 - 12 61 61
info@sigor.de • www.sigor.de

Handelsregister HRB 19472
USt-IdNr.: DE 814574569
WEEE-Reg.-Nr.: DE 45242363

Geschäftsführer:
Michael Perterer
Robin Scheffel

