

Datasheet
4509201

Akku-Tischleuchte Nuindie mini 250mm silberfarben



Additional information:

Material/Surface : Aluminum galvanically anodized for outdoor use.
 Charging time = 5 - 7 h
 Lighting time = up to 12 h at 100% power
 Battery = Li-Ion with 4,400 mAh capacity
 Control = touch switch, dimmable
 Weight = 935 g
 Scope of delivery = light incl. 1.2 meter magnetic charging cable and power adapter
 Charging is done with easy-connect system at the base of the light.



Dimmable: yes

Recommended dimmer: www.sigor.de/dimmerliste

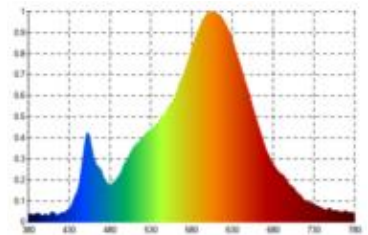
197 lm	luminous flux [lm]
2,20 Watt	rated power
2200/2700 K	colour temperature
Ra>85	colour rendering
<5 sdcms	colour consistency
45°	beam angle

silberfarben	Colour housing
IP54	type of protection
-20° - 40°C	temperature range in operation

5 V AC	power factor
Hz	voltage
1 mA	operating frequency
3 kWh/1000h	current
<1.0 s	energy consumption
<0.5 s	warm-up time up to 60% of the full light output
	starting time

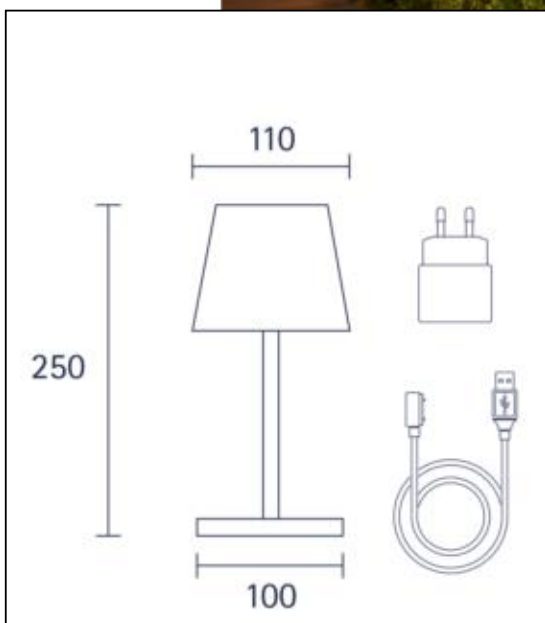
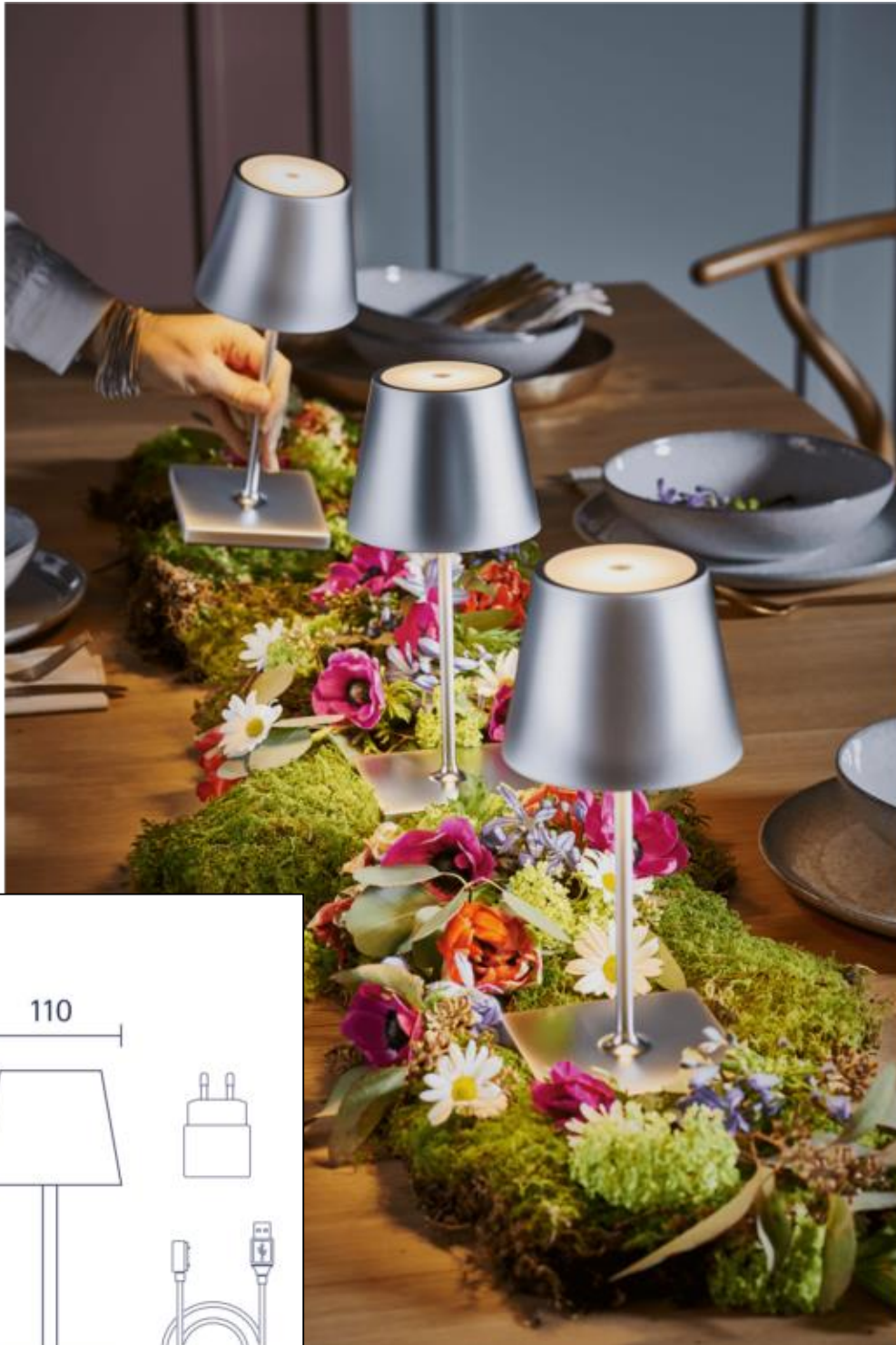
Ø 25.000 h	nominal life time
L70B50	rated life time L70/B50
0.7	lumen maintenance factor at the end of the nominal life

Spectral power distribution
in the range 180 - 800 nm



4509201

Akku-Tischleuchte Nuindie mini 250mm silberfarben



Manual:

https://shop.sigor.de/media/pdf/4509201_manual.pdf

as of: 22.08.2023

Page: 2