

Datasheet
4509701

Akku-Tischleuchte Nuindie mini 250mm feuerrot rund



Additional information:

Material/Surface : Aluminum powder coated for outdoor use.
 Charging time = 5 - 7 h
 Lighting time = up to 12 h at 100% power
 Battery = Li-Ion with 4,400 mAh capacity
 Control = touch switch, dimmable
 Weight = 935 g
 Scope of delivery = light incl. 1.2 meter magnetic charging cable and power adapter
 Charging is done with easy-connect system at the base of the light.



Dimmable: yes

Recommended dimmer: www.sigor.de/dimmerliste

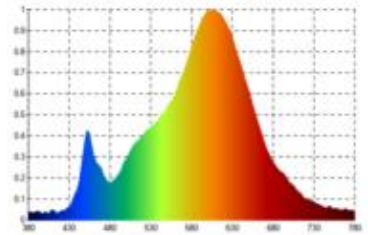
197 lm	luminous flux [lm]
2,20 Watt	rated power
2200/2700 K	colour temperature
Ra>85	colour rendering
<5 sdcms	colour consistency
45°	beam angle

feuerrot	Colour housing
IP54	type of protection
-20° - 40°C	temperature range in operation

5 V AC	power factor
Hz	voltage
1 mA	operating frequency
3 kWh/1000h	current
<1.0 s	energy consumption
<0.5 s	warm-up time up to 60% of the full light output
	starting time

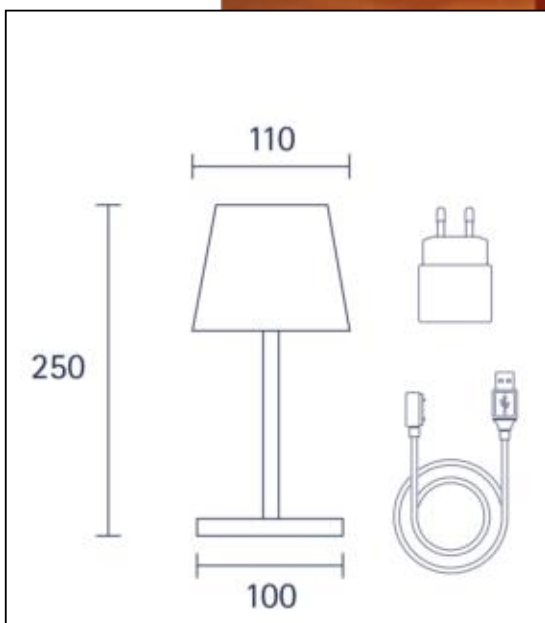
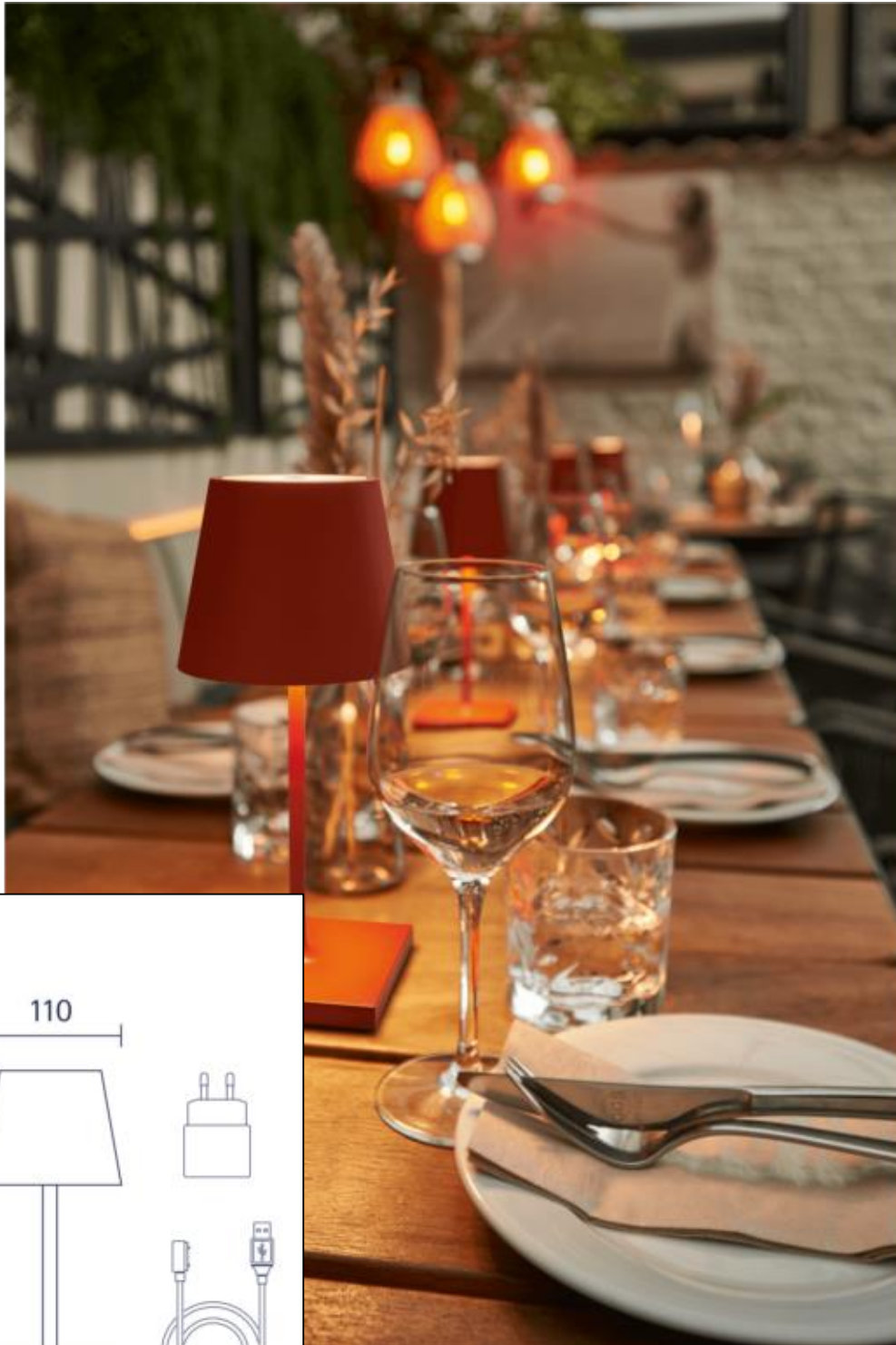
Ø 25.000 h	nominal life time
L70B50	rated life time L70/B50
0.7	lumen maintenance factor at the end of the nominal life

Spectral power distribution
in the range 180 - 800 nm



4509701

Akku-Tischleuchte Nuindie mini 250mm feuerrot rund



Manual:

https://shop.sigor.de/media/pdf/4509701_manual.pdf

as of: 22.08.2023

Page: 2

SIGOR Licht GmbH • Eichenhofer Weg 81 • 42279 Wuppertal
Telefon 0 23 39 - 12 61 - 0 • Telefax 0 23 39 - 12 61 61
info@sigor.de • www.sigor.de

Handelsregister HRB 19472
USt-IdNr.: DE 814574569
WEEE-Reg.-Nr.: DE 45242363

Geschäftsführer:
Michael Perterer
Robin Scheffel

