

**Datasheet**  
**4544601**

**Akku-Tischleuchte Nuflair 245mm sonnengelb**



Additional information:

Material/Surface : Aluminum powder coated for outdoor use.  
 Charging time = 5 - 7 h  
 Lighting time = up to 12 h at 100% power  
 Battery = Li-Ion with 4,400 mAh capacity  
 Control = touch switch, dimmable  
 Weight = 915 g  
 Scope of delivery = light incl. 1.2 meter magnetic charging cable and power adapter  
 Charging is done with easy-connect system at the base of the light.



Dimmable: yes

Recommended dimmer: [www.sigor.de/dimmerliste](http://www.sigor.de/dimmerliste)

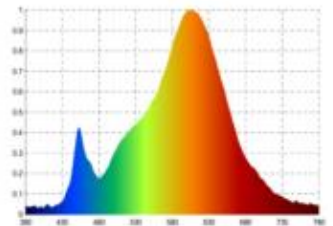
170 lm	luminous flux [lm]
2,20 Watt	rated power
2200/2700 K	colour temperature
Ra>85	colour rendering
5 sdcm	colour consistency
45°	beam angle

sonnengelb	Colour housing
IP54	type of protection
-20° - 40°C	temperature range in operation

3,7 V AC	power factor
Hz	voltage
1 mA	operating frequency
2 kWh/1000h	current
<1,0 s	energy consumption
<0.5 s	warm-up time up to 60% of the full light output
	starting time

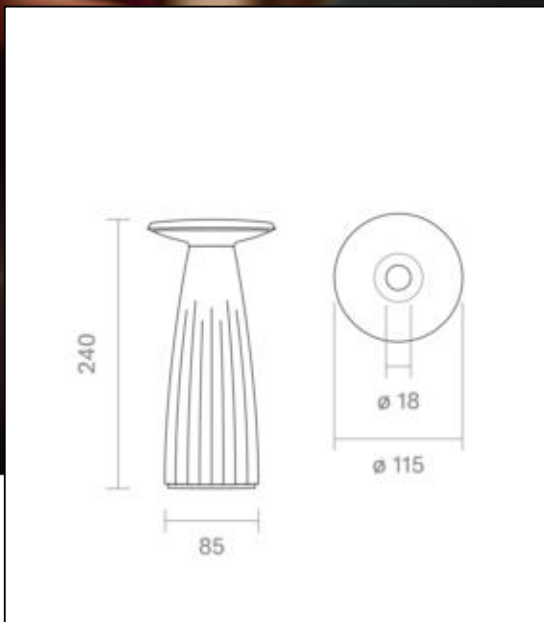
Ø 25.000 h	nominal life time
L70B50	rated life time L70/B50
0.7	lumen maintenance factor at the end of the nominal life

Spectral power distribution  
in the range 180 - 800 nm



4544601

Akku-Tischleuchte Nuflair 245mm sonnengelb



**Manual:**

[https://shop.sigor.de/media/pdf/4544601\\_manual.pdf](https://shop.sigor.de/media/pdf/4544601_manual.pdf)

as of: 22.08.2023

Page: 2