

Datasheet
4544801

Akku-Tischleuchte Nuflair 245mm goldfarben



Additional information:

Material/Surface : Aluminum powder coated for outdoor use.
 Charging time = 5 - 7 h
 Lighting time = up to 12 h at 100% power
 Battery = Li-Ion with 4,400 mAh capacity
 Control = touch switch, dimmable
 Weight = 915 g
 Scope of delivery = light incl. 1.2 meter magnetic charging cable and power adapter
 Charging is done with easy-connect system at the base of the light.



Dimmable yes

Recommended dimmer: www.sigor.de/dimmerliste

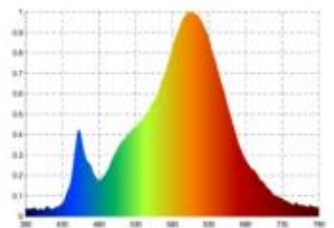
| | |
|-------------|--------------------|
| 170 lm | luminous flux [lm] |
| 2,20 Watt | rated power |
| 2200/2700 K | colour temperature |
| Ra>85 | colour rendering |
| 5 sdcm | colour consistency |
| 45° | beam angle |

| | |
|-------------|--------------------------------|
| goldfarben | Colour housing |
| IP54 | type of protection |
| -20° - 40°C | temperature range in operation |

| | |
|-------------|---|
| 3,7 V AC | power factor |
| Hz | voltage |
| 1 mA | operating frequency |
| 2 kWh/1000h | current |
| <1,0 s | energy consumption |
| <0.5 s | warm-up time up to 60% of the full light output |
| | starting time |

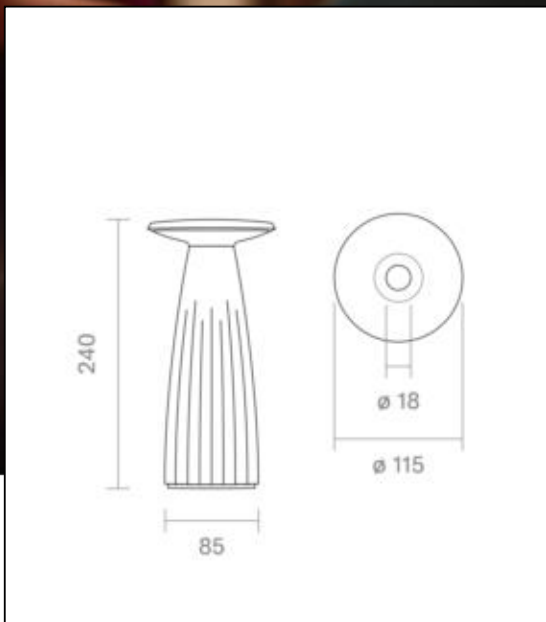
| | |
|------------|---|
| Ø 25.000 h | nominal life time |
| L70B50 | rated life time L70/B50 |
| 0.7 | lumen maintenance factor at the end of the nominal life |

Spectral power distribution
in the range 180 - 800 nm



4544801

Akku-Tischleuchte Nuflair 245mm goldfarben



Manual:

https://shop.sigor.de/media/pdf/4544801_manual.pdf

as of: 22.08.2023

Page: 2

