

**Datasheet**  
**9042801**

**Netzteil Powerline Micro Triac 12W 24VDC**

Without a power supply it remains dark. But the power supply itself should be as invisible as possible. Our POWERLINE MICRO Triac 12W power supply is flat and slim and thus fits into any niche - and even into the flush-mounting box. The new generation of Triac dimming guarantees minimal installation effort.

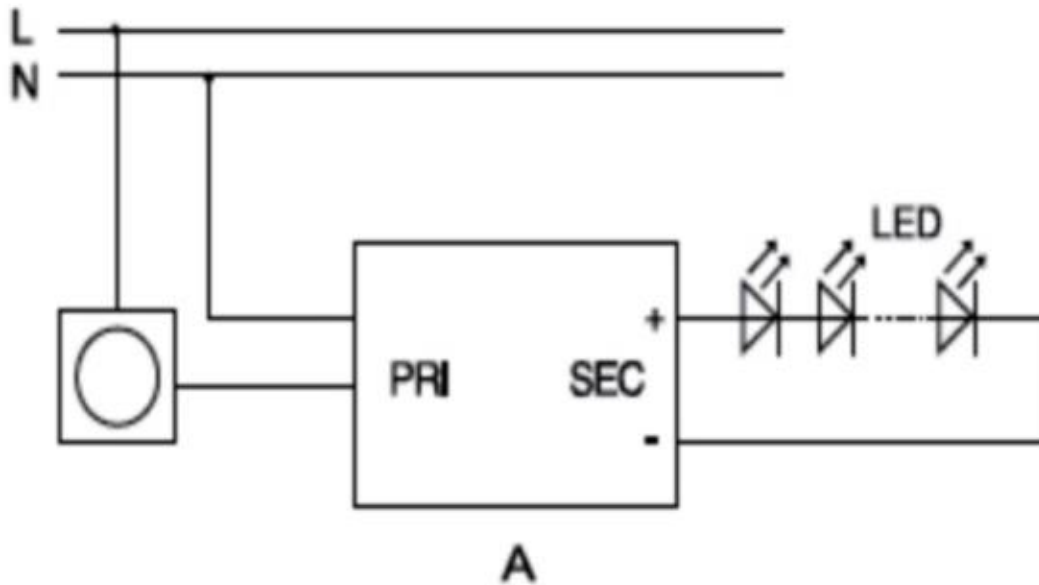


230 V	AC Voltage
50/60 Hz	Frequency Range
220-240 V	Voltage Range AC
24-25,2 V	Voltage Range DC
0,08 mA	AC Current
12,00 W	Rated Power
82,00 %	Full Load Efficiency
0,95	Power Factor
1,00 W	Power at Standby
5;260	Inrush Current
Triac-dimm	Dimming method
Hz	Radio frequency
0 kHz	PWM-frequency
24 V	Output voltage
5 %	Voltage Tolerance
12 W	Output Power
0,5 A	Output Current
mA	Constant Current range
50 °C	Ambient Temperature
70 °C	Storage Temperature
80 °C	Max. Housing Temp.
IP65	Ingress Protection Code
2	Protection Class
25 %	Total Harmonic distortion
h	Calculated Lifetime
30000 h	Lifetime
2 a	Guarantee
50 mm	Dimensions
48 mm	width
24 mm	height
g	Weight
Ja	Shortcircuit proof
Nein	Overtemperature protection
Nein	Overvoltage Protection
100000	Switching cycles

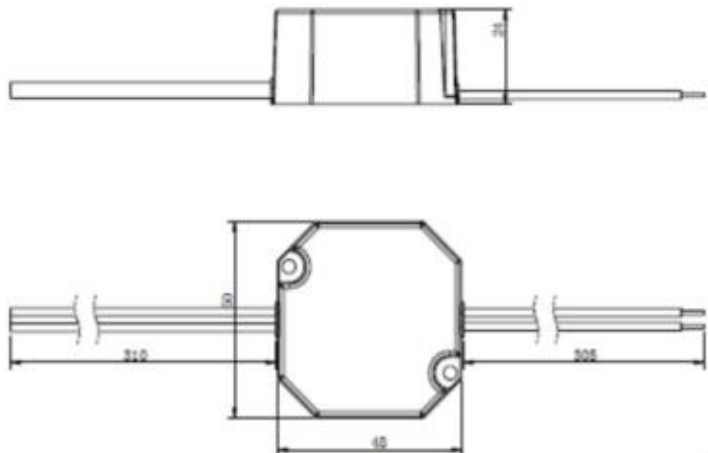


9042801

Netzteil Powerline Micro Triac 12W 24VDC



## Physical Parameter



Dimensions(LxWxH): 50x48x24mm

Housing Material:PC Plastic

### Manual:

[https://shop.sigor.de/media/pdf/9042801\\_manual.pdf](https://shop.sigor.de/media/pdf/9042801_manual.pdf)