

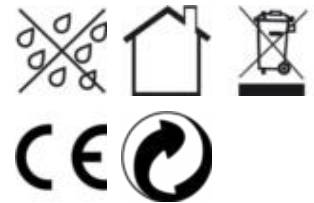
Datasheet
9200601

Netzteil POWERLINE Triac slim 30W 24V

Our 30W **POWERLINE TRIAC SLIM** in 24V finds its area of application in the power supply of LED strips which are to be dimmed via a phase angle and section dimmer. Due to its narrow design of only 30mm width It finds its place in every light cove. It has an IP20 protection and is therefore not suitable for outdoor use. The minimum load of the power supply is 10% of the total power. Furthermore, the dimming rate is 5% to 100%. Our power supplies are protected from short circuit, overload and overvoltage. Our power supply is considered EMC interference resistant, which means that our power supply will not interfere with other devices due to unwanted electrical or electromagnetic effects, or be disturbed by other devices. Especially important in the object: we offer a 3-year warranty and vouch for the high-quality workmanship and durability of this power supply.

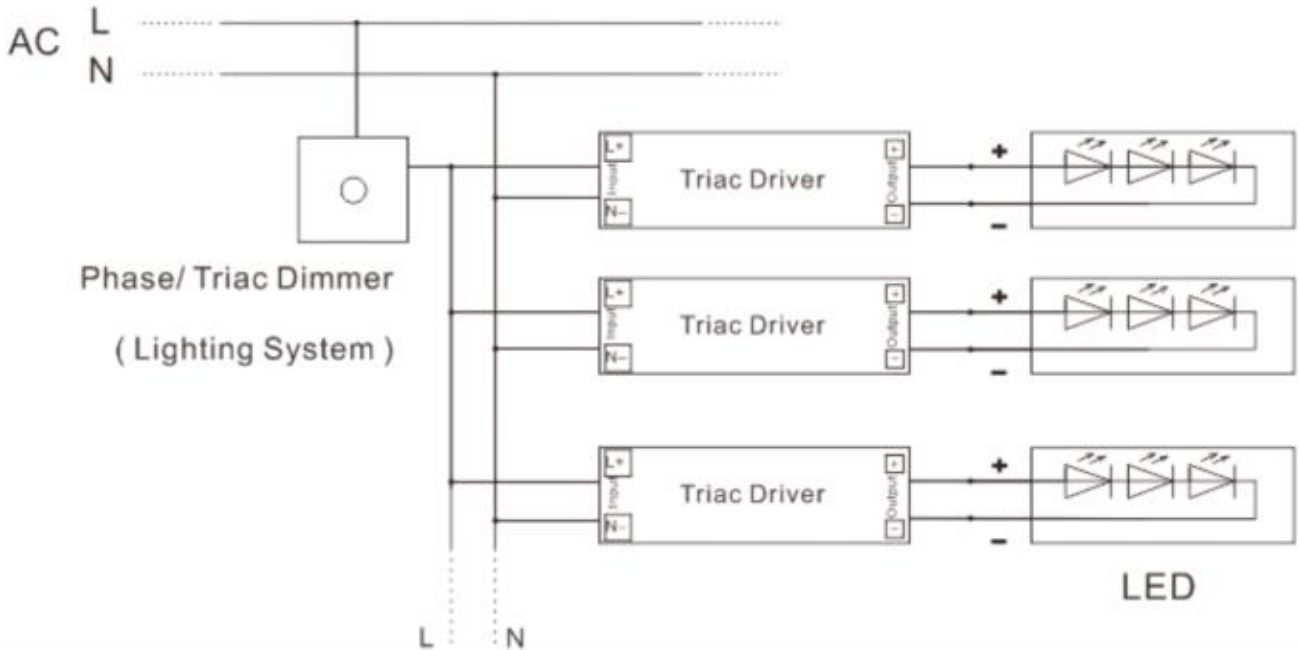


230 V	AC Voltage
50/60 Hz	Frequency Range
100-265 V	Voltage Range AC
24-25,2 V	Voltage Range DC
mA	AC Current
30,00 W	Rated Power
80,00 %	Full Load Efficiency
96,00	Power Factor
1,00 W	Power at Standby
	Inrush Current
Triac-dimm	Dimming method
Hz	Radio frequency
0 kHz	PWM-frequency
24 V	Output voltage
1 %	Voltage Tolerance
30 W	Output Power
1,25 A	Output Current
mA	Constant Current range
70 °C	Ambient Temperature
80 °C	Storage Temperature
90 °C	Max. Housing Temp.
IP20	Ingress Protection Code
2	Protection Class
20 %	Total Harmonic distortion
h	Calculated Lifetime
50000 h	Lifetime
3 a	Guarantee
260 mm	Dimensions
30 mm	width
19 mm	height
205 g	Weight
Ja	Shortcircuit proof
Nein	Overtemperature protection
Nein	Overvoltage Protection
100000	Switching cycles



9200601

Netzteil POWERLINE Triac slim 30W 24V



Manual:

https://shop.sigor.de/media/pdf/9200601_manual.pdf

