

Datasheet
9202301

Netzteil POWERLINE Triac Slim Outdoor 100W 24V



Our 100W **POWERLINE TRIAC SLIM Outdoor** in 24V finds its area of application in the power supply of LED strips which are to be dimmed via a phase angle and section dimmer. Due to its narrow design of only 32mm width It finds its place in every light cove. It has an IP66 protection and is therefore suitable for outdoor use. The minimum load of the power supply is 10% of the total power. Furthermore, the dimming rate is 5% to 100%. Our power supplies are protected against short circuit, overload and overvoltage. Our power supply is considered EMC interference resistant, which means that our power supply will not interfere with other devices due to unwanted electrical or electromagnetic effects, or be disturbed by other devices.

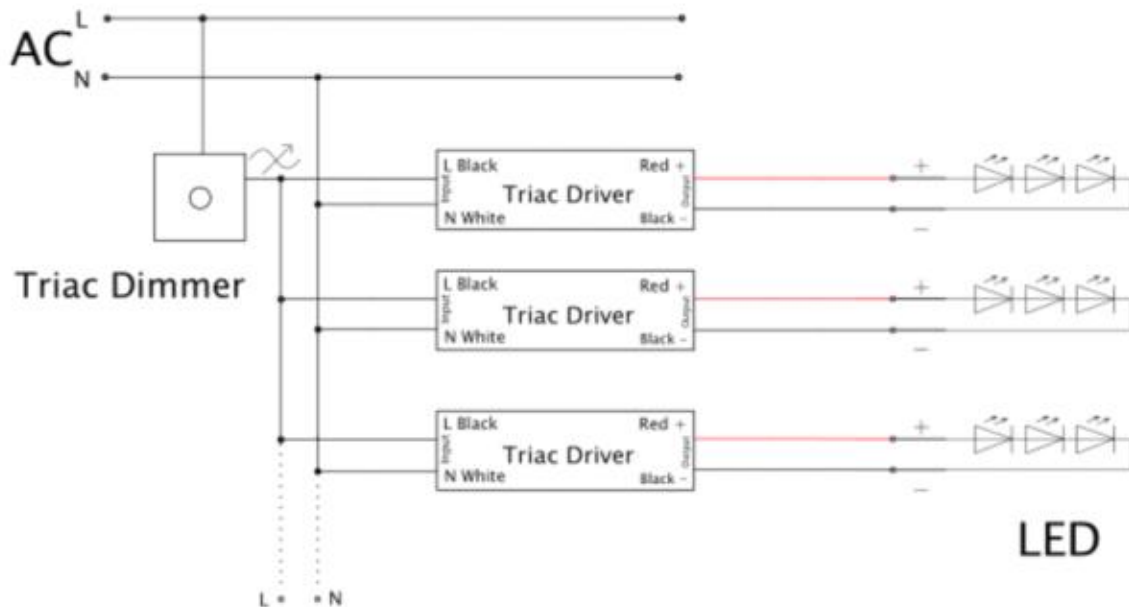
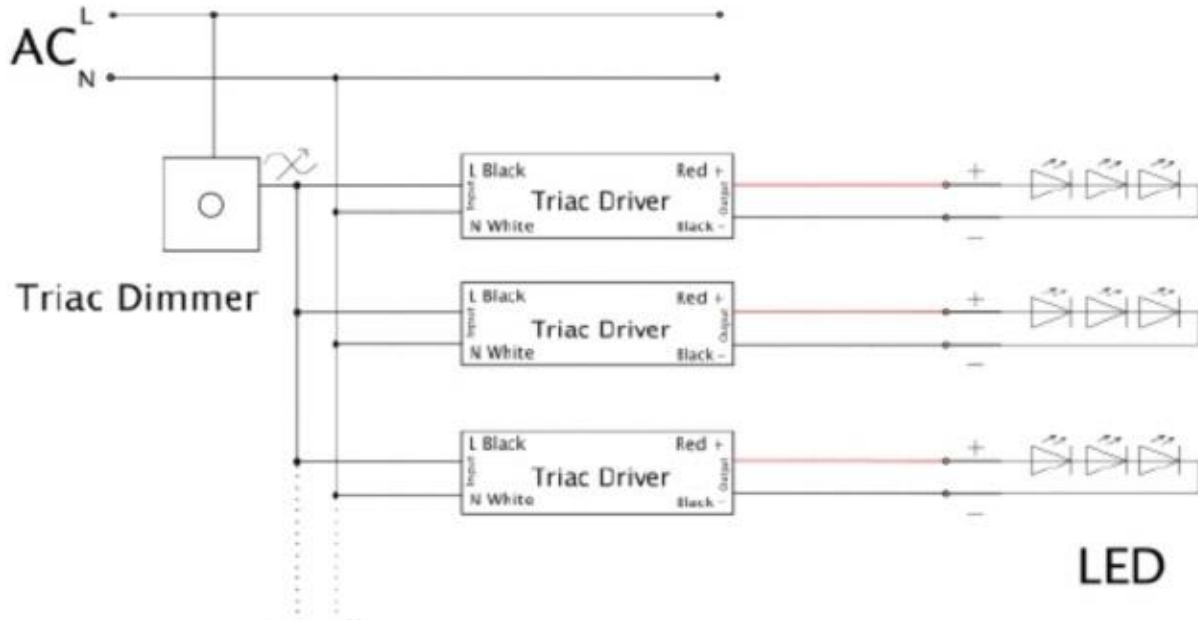


230 V	AC Voltage
50/60 Hz	Frequency Range
200-240 V	Voltage Range AC
24-24,5 V	Voltage Range DC
mA	AC Current
100,00 W	Rated Power
90,00 %	Full Load Efficiency
0,95	Power Factor
0,90 W	Power at Standby
47.5A/312u	Inrush Current
Triac-dimm	Dimming method
keine Hz	Radio frequency
20000 kHz	PWM-frequency
24 V	Output voltage
1 %	Voltage Tolerance
100 W	Output Power
4,17 A	Output Current
-- mA	Constant Current range
70 °C	Ambient Temperature
80 °C	Storage Temperature
80 °C	Max. Housing Temp.
IP66	Ingress Protection Code
1	Protection Class
20 %	Total Harmonic distortion
h	Calculated Lifetime
30000 h	Lifetime
3 a	Guarantee
300 mm	Dimensions
32 mm	width
23 mm	height
g	Weight
Ja	Shortcircuit proof
Ja	Overtemperature protection
Nein	Overvoltage Protection
50000	Switching cycles



9202301

Netzteil POWERLINE Triac Slim Outdoor 100W 24V



Manual:

https://shop.sigor.de/media/pdf/9202301_manual.pdf

