

Datasheet
9208701

Netzteil POWERLINE Triac Outdoor 150W 24V



Our 150W **POWERLINE TRIAC OUTDOOR** in 24V finds its field of application in the power supply of LED strips which are to be dimmed via a phase-angle and -section dimmer. It has IP66 protection and is therefore also suitable for outdoor use. The minimum load of the power supply is 10% of the total power. Furthermore, the dimming rate is from 5% to 100%. Our power supplies are protected against short circuit, overload and overvoltage. Our power supply is considered EMC interference proof, which means that our power supply will not interfere with other devices by unwanted electrical or electromagnetic effects or be disturbed by other devices. Especially important in the object: we offer 3 years warranty and vouch for the high quality workmanship and durability of this power supply.

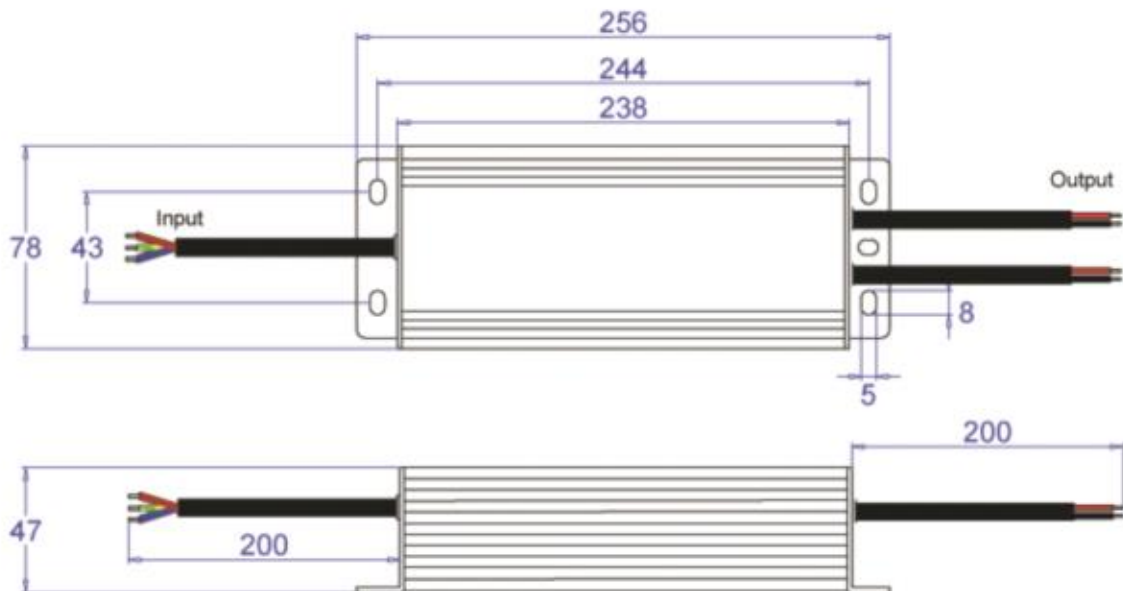
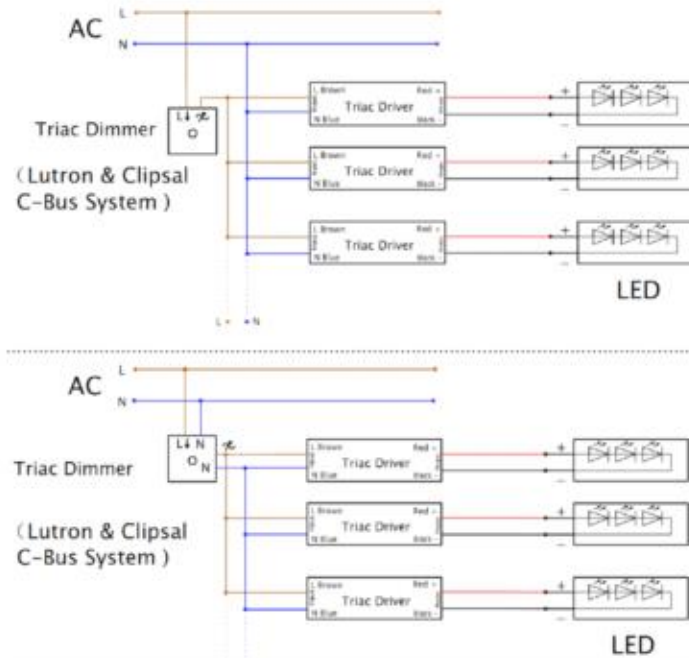


230 V	AC Voltage
50/60 Hz	Frequency Range
100-265 V	Voltage Range AC
24-24,5 V	Voltage Range DC
995,00 mA	AC Current
150,00 W	Rated Power
86,00 %	Full Load Efficiency
0,65	Power Factor
0,90 W	Power at Standby
60A; 0,045	Inrush Current
Triac-dimm	Dimming method
keine Hz	Radio frequency
20000 kHz	PWM-frequency
24 V	Output voltage
1 %	Voltage Tolerance
150 W	Output Power
6,25 A	Output Current
-- mA	Constant Current range
70 °C	Ambient Temperature
80 °C	Storage Temperature
80 °C	Max. Housing Temp.
IP66	Ingress Protection Code
1	Protection Class
17 %	Total Harmonic distortion
h	Calculated Lifetime
30000 h	Lifetime
3 a	Guarantee
256 mm	Dimensions
78 mm	width
47 mm	height
1450 g	Weight
Ja	Shortcircuit proof
Ja	Overtemperature protection
Nein	Overvoltage Protection
50000	Switching cycles



9208701

Netzteil POWERLINE Triac Outdoor 150W 24V



Manual:

https://shop.sigor.de/media/pdf/9208701_manual.pdf

